



AZEK Deck Installation Guidelines

AZEK Deck should be installed using the same good building principals used to install wood or composite decking and in accordance with local building codes and the installation guidelines included below. AZEK Building Products claims no liability or responsibility for the improper installation of our deck product. Since all installations are unique, it is the sole responsibility of the installer to determine specific requirements in regards to each decking application. Best practice is to have all deck designs reviewed by a licensed architect, engineer or local building official before installation.

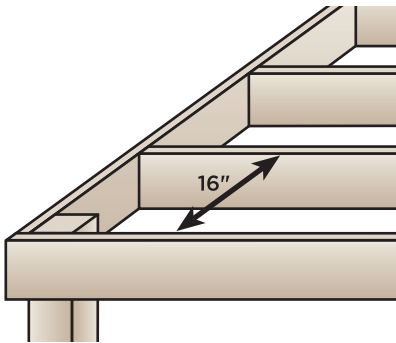
STORAGE:

- › Store decking on a flat and level surface.
- › Do not stack bundles over 8 units high.
- › When possible, leave factory applied protective wrap on the product to help protect against dirt and debris.
- › Use care when handling product with a forklift as forks can easily damage the material.
- › If banding is used, use protective corners to prevent indents from the bands.

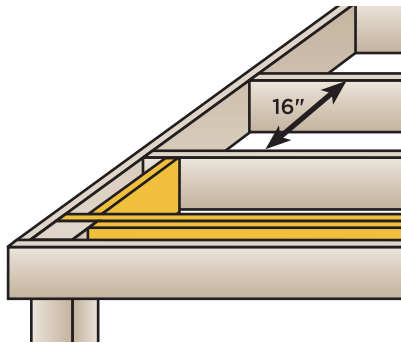
PREPARATION:

Follow these guidelines for best deck installation.

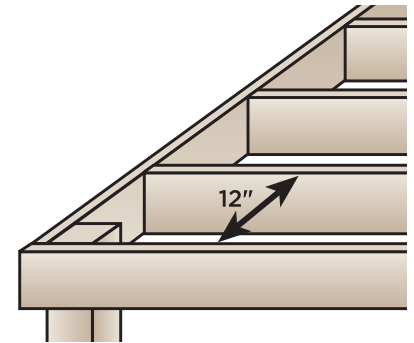
- › If using AZEK Deck materials on an existing joist structure, check to make sure all joists are level, structurally sound, and there are no nails or screws protruding.
- › Proper joist spacing is required for proper installation.
- › For correct joist spacing:
 - ›› Do not exceed 16" center to center for applications with deck board perpendicular to joists.
 - ›› Do not exceed 12" center to center for commercial applications.
 - ›› For deck boards on a 45° angle, such as a herringbone pattern, the joists should not exceed 12" center to center.
- › AZEK Deck products should not be used for railing supports.



16" BASIC INSTALLATION SUBSTRUCTURE
16" on center maximum joists.
(12" for commercial applications)



PICTURE FRAME INSTALLATION SUBSTRUCTURE
16" on center maximum joists plus additional support for the picture frame structure (12" for commercial applications)



DIAGONAL INSTALLATION SUBSTRUCTURE
12" on center maximum joists.

TOOLS REQUIRED:

AZEK Deck materials can be installed using the same tools you would use to install wood or composite decking.

- › Self-feeding screw guns can be used
- › Circular saw with fine-toothed, carbide-tipped finish trim blade or a 20-grit diamond-tipped blade work well for cutting.
- › As with wood or composite decking, safety glasses should be worn during the entire installation process.

FASTENERS:

AZEK Deck materials can be installed using the same fasteners you would use to install wood or composite decking.

- › Due to the long-lasting durability of AZEK Deck products, a high quality fastener is recommended that meets the following specifications:
 - ›› Stainless Steel
 - ›› Minimum Screw Size: #7
 - ›› Minimum Length: 2 1/4"
- › Color-matched stainless steel deck screws are also available. Your AZEK Building Products dealer can assist with more information on these products. Two acceptable color-coated screws are:

<u>Flat Head Specs:</u> <ul style="list-style-type: none"> ›› Size- #8 ›› Length- 2 1/4" ›› Flat Head Diameter- 0.313" ›› Drive- #2 Square ›› Tip- #17 Self-Drilling ›› Material: 305 Stainless ›› Color: Color-Matched 	<u>Trim Head Specs:</u> <ul style="list-style-type: none"> ›› Size- #8 ›› Length- 2 1/4" ›› Flat Head Diameter- 0.280" ›› Drive- #2 Square ›› Tip- #17 Self-Drilling ›› Material: 305 Stainless ›› Color: Color-Matched
--	--
- › Hidden Fasteners:
 - ›› Tiger Claw TC-P fasteners were designed for ease of use with AZEK Decking. Tiger Claw hidden deck fasteners hide beneath the surface to create a smooth, nail-free finish. Ask your AZEK Building Products dealer for more information on the Tiger Claw fastener.

EXPANSION & CONTRACTION:

AZEK Deck boards will have minimal expansion and contraction with changes in temperature, unlike wood whose size will fluctuate with moisture changes. Fastening the deck boards according to the Installation Guidelines minimizes expansion and contraction.

- › Expansion and contraction are most significant where extreme temperature change may exist.
- › Best practice is to cut and fasten the deck boards as soon after cutting as possible.
- › When ambient temperature is above 80°F, fit deck boards tightly at the ends.
- › When ambient temperature is 32°F or below, allow a 1/16" approx. end gap.
- › Deck boards fastened securely using 2 fasteners per joist member will have minimal expansion and contraction.

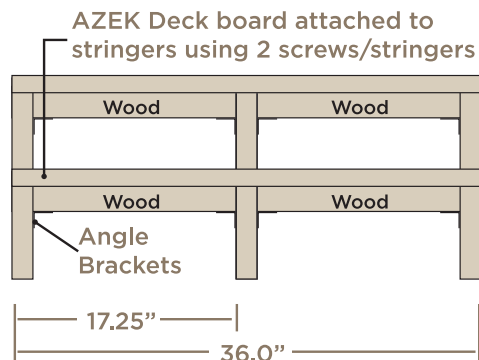
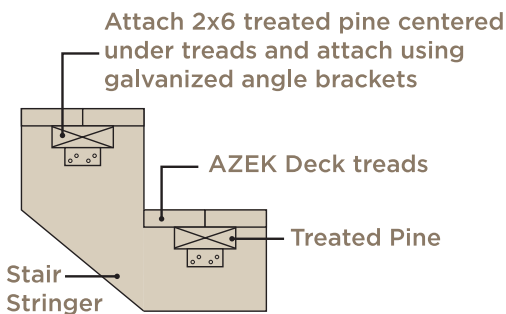
Approximate expansion and contraction for unattached deck board based on a 50°F temperature change:

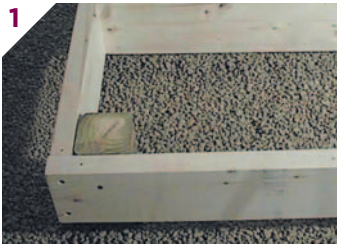
Unattached Length	Board Gap
12'	3/16"
16'	1/4"
20'	5/16"

Some area building codes require double joisting when joining boards end to end. Always check with your local code authority for specific requirements before installation.

STAIR CODE COMPLIANCE:

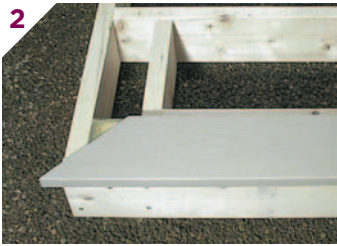
In order to meet the AC174 Requirement for stair loading, follow instructions below.





16" CENTERS / 12" CENTERS
This complete deck substructure is ready for installation.

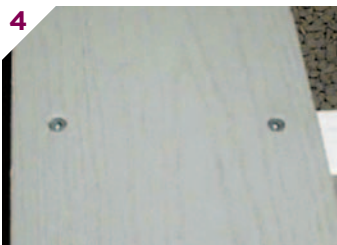
Use 12" on center when deck boards are not applied perpendicularly (90° angle) to the joists and on commercial applications.



SET & SQUARE
Set the first deck board on the substructure and square the board to the framing. Notice how the ends of boards overhang the edge of the framing.
NOTE: If you cut the deck boards to exact length prior to installing, fasten boards immediately after cutting to limit expansion and contraction. (Refer to "Expansion/Contraction")



SCREW DEPTH
To countersink your screw, adjust the depth on your driver to drive the screw to the depth of 1/32" to 1/16" below the top surface of the deck board. For best results, the screws should slightly penetrate the surface, similar to installing dry wall.



SCREW SPACING
When fastening, always position screws 3/4" to 1" from the side of the board. AZEK Deck should not split or crack if screws are needed closer to the edge.



NO PRE-DRILLING
Drive screws through the deck boards as shown at left. Use two screws per joist to secure boards properly.



BUTTING BOARDS ON A RUN OR MITER
Ends should fit tightly together. Use 2 screw fasteners per board end. Place screws within 1/2" of board end (countersinking slightly). Fasteners should fully penetrate underlying joist.



BOARD SPACING
Use a spacer to create a gap of 1/8" to 1/4" maximum between each deck board to allow for proper drainage. Fasten and space deck boards until surface is covered. Optional spacers: ceramic tile spacers, edge of square (shown at left). Spacers available at most lumberyards.



OBSTRUCTIONS
Use a jigsaw to easily cut around obstructions such as posts for railings.



CUTTING PREPARATION
Check to make sure each board is fastened securely along entire length. Use a chalk line to mark the location in order to cut the boards to length. After the boards are cut, they should overhang the rim joist a maximum of 1/8". This will ensure proper rim joist cover fit.



CUTTING DECK BOARDS TO LENGTH
Use a circular saw with a fine-toothed, carbide-tipped finish trim blade to cut off edges of overhanging boards. A 20-grit diamond-tipped blade with a miter saw can also be used.



INSTALLING RIM JOIST COVER
Use an AZEK Deck rim joist cover to cover the face of the rim joist and the edge of the deck boards. Apply an exterior grade construction glue to the back of the rim joist cover. Care should be taken not to get glue on the deck surface.



RIM JOIST COVER
Attach rim joist covers using screws roughly 12" on center. Miter cut the corners to eliminate exposed edges.